



Water Engineering in Motion

Bespoke Water Pumping Equipment

Stainless Steel Fabrication

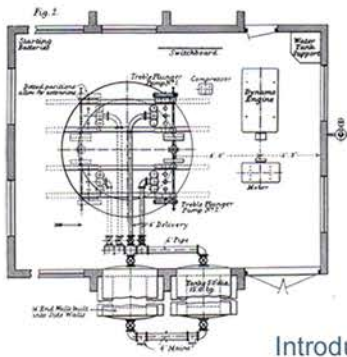


KGN Pillinger work in partnership with the water, industrial and building services industries throughout the world to provide complete engineering solutions and support for all your water pumping requirements.

Our client list includes the MOD, UK water utilities and global construction companies.



PRODUCT Portfolio



Introduction



Design



Fabrication



Booster Sets



Bespoke



Pressurisation



Tanks



Plant Rooms



Waste Water



AV Series Booster Set

280 - 9,600 Litres Water Tank

Underground Plant Room

Cat 5 Booster/
SE Pressurisation Unit

Expansion Vessel

Hot Water Return

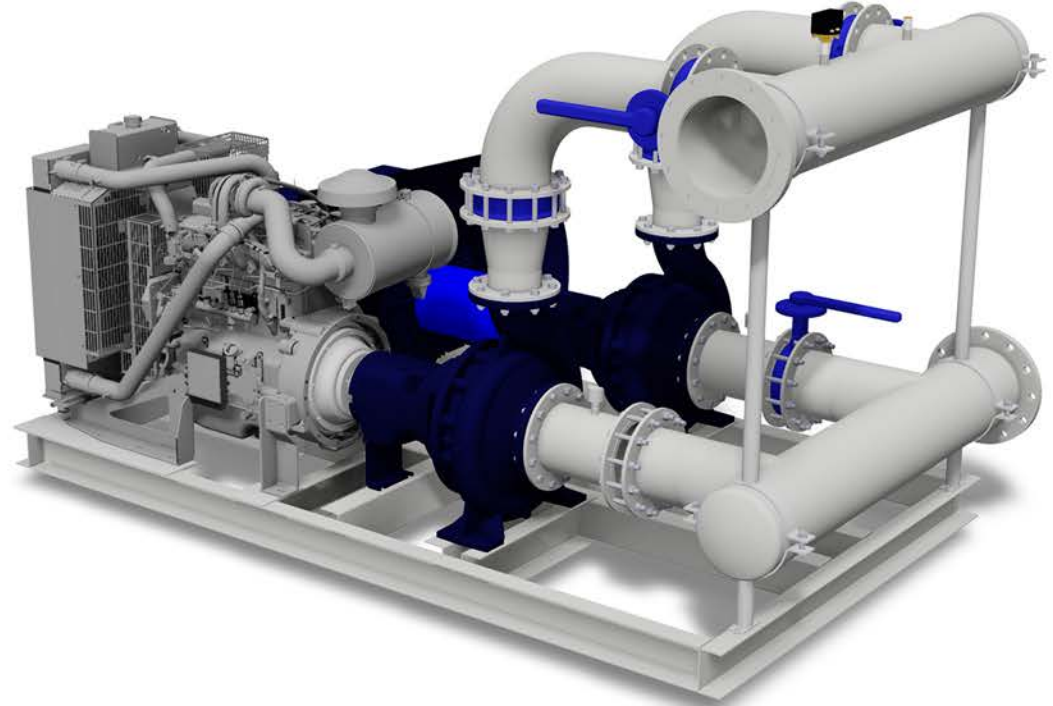
Heating Circulation Pump

Sewage Chamber & Pump

Kiosk Plant Room

PRODUCT

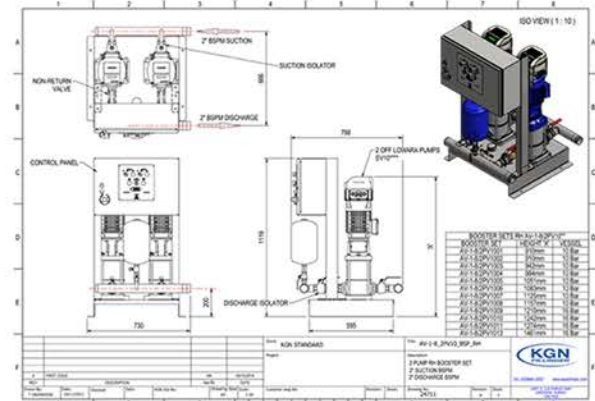
Solutions

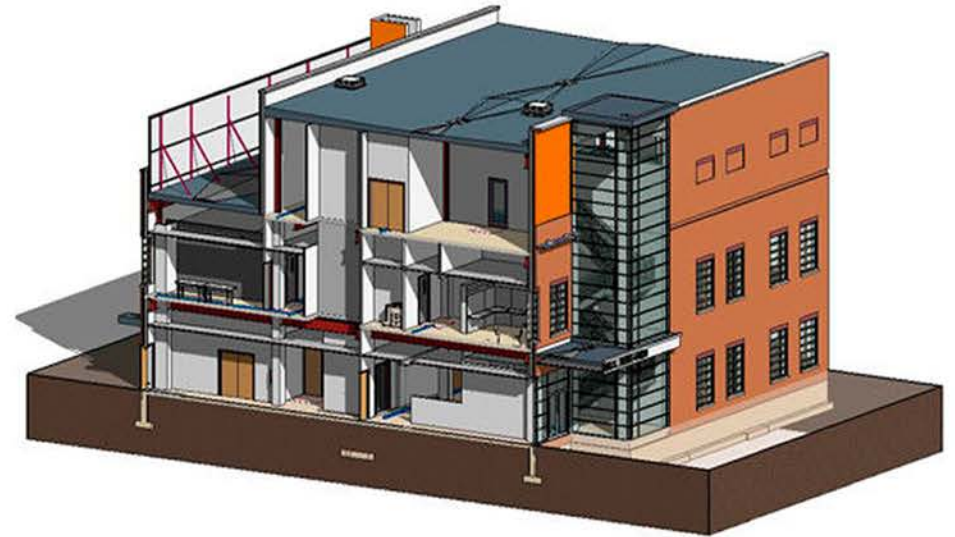


From concept through planning to implementation, projects are managed through advanced 2D and 3D Computer Animated Design.

Blueprints are available to clients for viewing via Design Review Software allowing for changes and amendments throughout the design process.

The unique KGN Pillinger Download Dock allows large files to be downloaded directly from our website using a secure Client Download Password.





KG N Pillinger design software is supported by Building Information Modelling (BIM)

BIM is a co-ordinated set of processes, supported by technology, that add value by creating, managing and sharing the properties of an asset throughout its lifecycle.

BIM incorporates data - physical, commercial, environmental and operational - on every element of a development's design.

KGN Pillinger has a progressive investment policy.

We continue to lead the way with acquisitions of state-of-the-art machinery and the development of bespoke stainless steel fabrication services.

We are the only UK based booster set manufacturer to use automated TIG welding equipment coupled with 316L Stainless Steel as standard. Our T-Drill machinery collars steel tubing and forms flanges directly without the need for welding.

The Rotary Index Laser Cutter automatically cuts stainless steel tube, angle, box section and plate to exact size.

The HD Series Press Brake delivers 170 tonnes pressure to fold up to 3 m lengths of stainless steel plate.

MANUFACTURING

Fabrication

Hi-Tech Tooling





Manifolds



Buffer Vessels



Dosing Pots



MANUFACTURING

Fabrication

BSB Tyre Rack



EV Series



AV Series

Fixed and variable speed sets to automatically control the pressure in a water distribution system.

The KGN Pillinger range of WRAS approved, compact design AV and EV booster sets are designed and manufactured for use in a variety of applications including water distribution or pressure boosting where the existing water pressure is unable to meet the demand requirements.

The KGN Pillinger BTC places the Break Tank alongside our AV or EV Booster Set range on a stainless steel frame.

With multiple tank sizes and dimensions available this unique design permits installation in even the most size restrictive plant rooms.





The KGN Pillinger CAT 5 Washdown Booster Set is designed to prevent backflow contamination of the mains water supply, while maintaining flow and pressure.

It is housed in a light, compact steel cabinet for easy wall mounting and is ideal for general purpose use such as bin stores, vehicle washing, laboratories and irrigation.



KG N Pillinger has an in house management team to help plan, design and co-ordinate project schedules. Whatever the task we have the technical knowledge, manufacturing facilities and engineering services to provide a complete bespoke service.

Project work including fire booster sets, packaged plant rooms and circulating pump sets are managed from concept to installation with assurance of an efficient and seamless hand over.

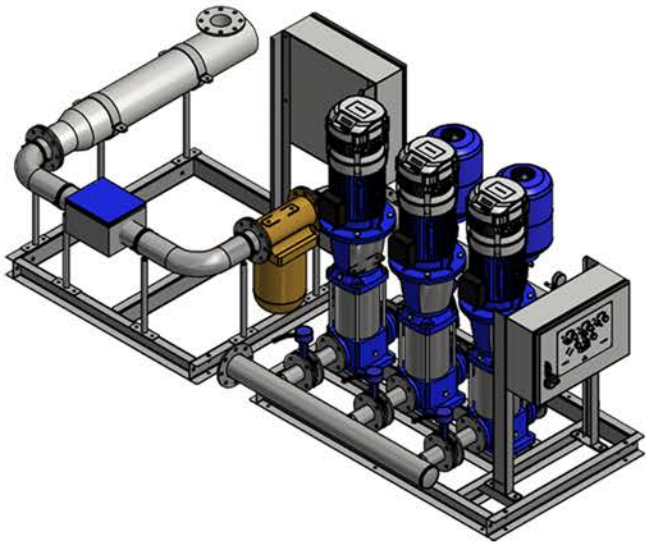
MANUFACTURING

Booster Sets

Bespoke

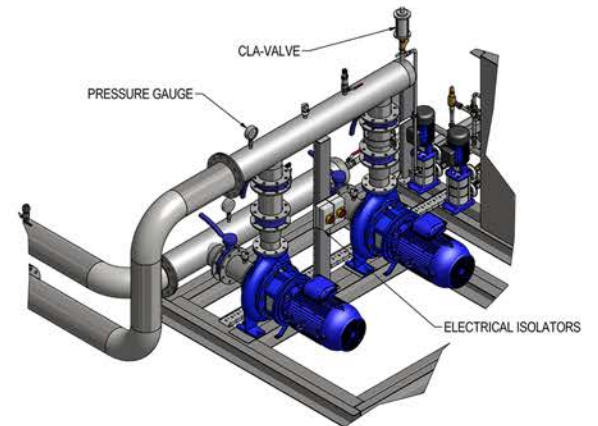
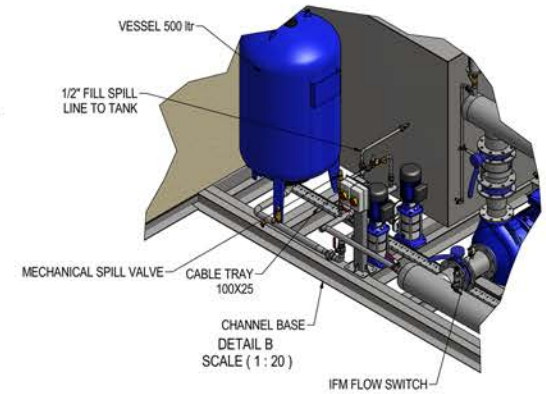
Residential Water Supply Packaged Booster Set with Automated
Backwash & UV Water Filter & Conditioner

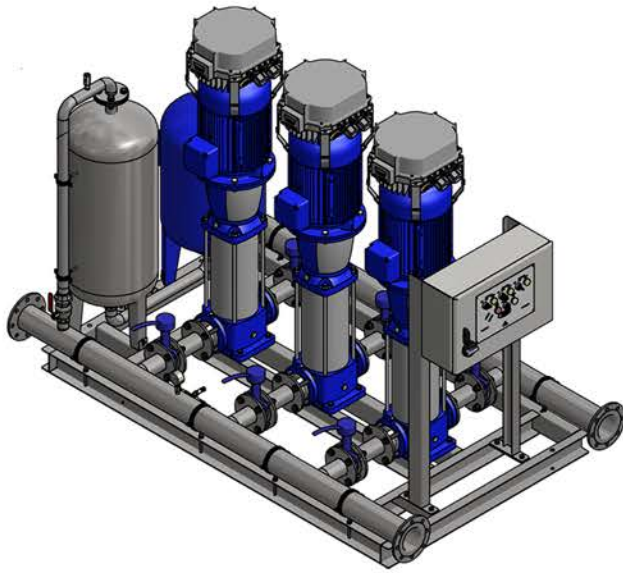
Three Pump 11KW Variable Speed Booster C/W
Control Panel, Vessels and Stainless 316L
Manifolds Terminating 4" BS4504 PN16
Twin Tank Selector Switch
Duty: 20 L/S @ 6 Bar



Water Utility 2 Pump Primary Circulating Set

Duty: 60 L/S @ 28.0 M/hd
Fill Spill Pressurisation Unit
Form 4 Control Panel
Stainless Steel Gantry System





Hot Water Booster Set

KGN - Stainless Steel Intermediate Vessel

3 Pump 15KW Variable Speed - Duty - Assist - Standby @ 13 Bar

1 x 100 LTR Vessel

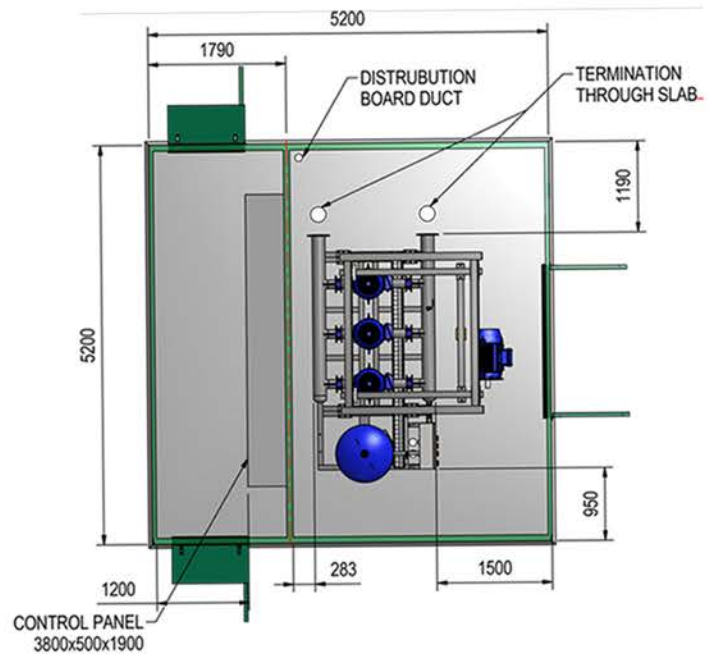
MANUFACTURING

Bespoke Booster Sets

Hot Water Booster Set

Water Utility Final Effluent Booster Set with
Stainless Steel Gantry & Pulley System

3 Pump 37 KW Variable Speed Booster
Duty - Assist - Standby
500 LTR 16 Bar Vessel



Water Utility Booster Set

Duty 30m³hr @ 4.4 Bar

2 Pressure Switches

4 Pressure Gauges

3 Flow Switches



MANUFACTURING

Bespoke Booster Sets

Water Utility

The KGN Pillinger BTA places the Break Tank above our AV or EV Booster Set range on a stainless steel frame. With multiple tank sizes and dimensions available this unique design permits installation in even the most size restrictive plant rooms.



High Pressure Unit CWB

2 Pump - Duty - Standby

Flow 3.69 L/S @ 8.5 Bar

3 x 100 LTR Vessels/16 BAR

Form 4 Control Panel

Low Pressure Unit CWB

3 Pump - Duty - Assist - Standby

Flow 11.46 L/S @ 4.5 Bar.

2 x 100 LTR Vessels

Form 4 Control Panel



MANUFACTURING

Bespoke Booster Sets

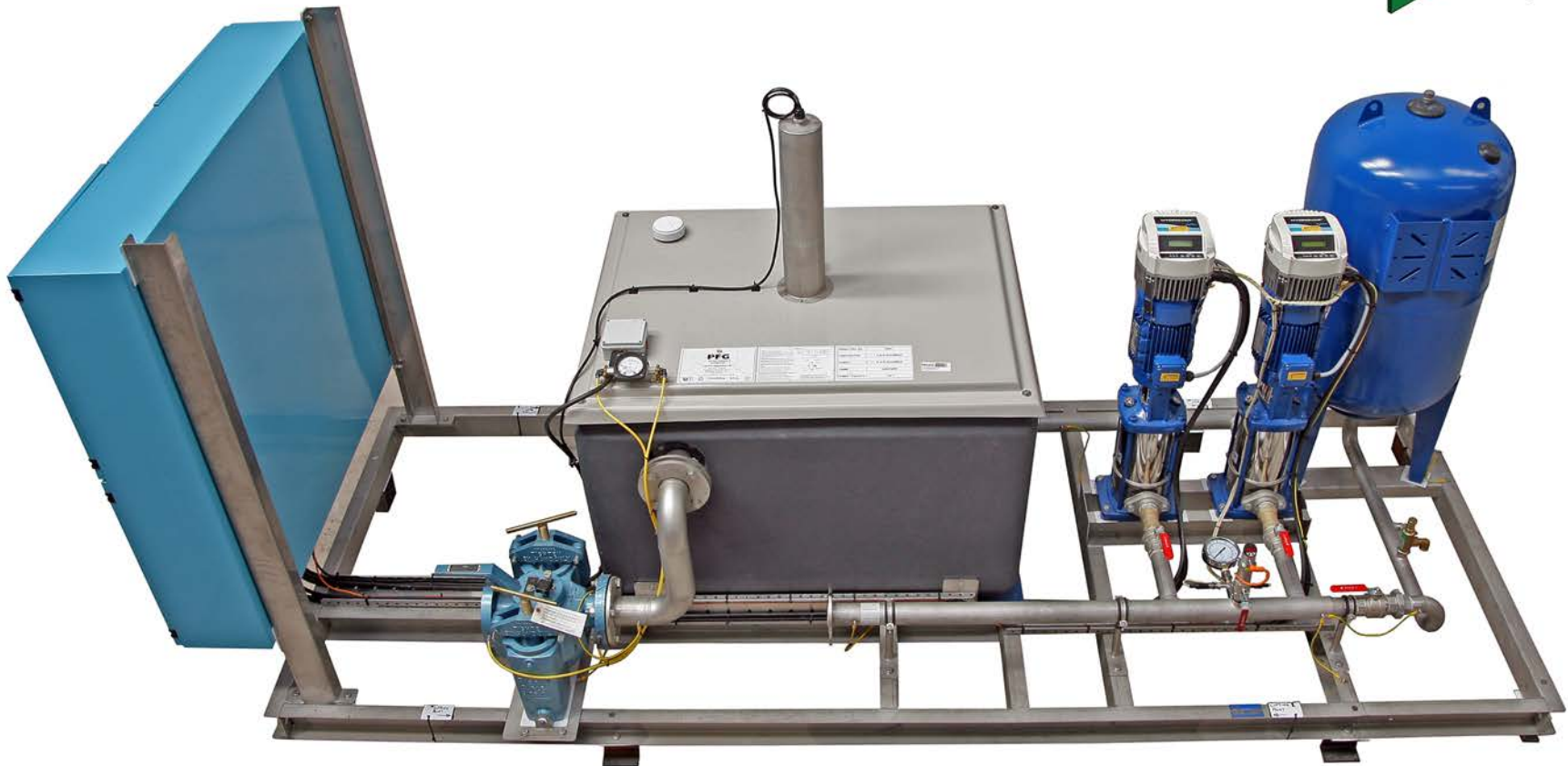
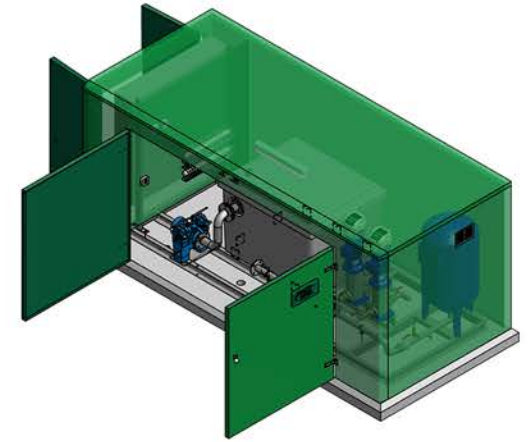
Cold Water Booster

Water Utility Wash Water Booster Set

2 PUMP Variable Speed - Duty - Standby @ 4.5 Bar

Stainless Steel Baseframe

200 LTR Vessel



Cold Water Booster Set

4 Pump - Duty - Assist - Assist - Standby

Flow 169 L/S @ 8 Bar

2 x 1000 LTR Vessels



MANUFACTURING

Bespoke Booster Sets

Cold Water Booster

The KGN Pillinger fire pump sets are bespoke designed to suit any site conditions, location and space restrictions ensuring every building's safety requirements against fire hazards, providing the correct flow of water to the sprinkler system or via hydrants.



Cold Water Transfer Set

3 Pump - Duty - Assist - Standby

Flow 60 L/S @ 19.3 M/hd



MANUFACTURING

Bespoke Booster Sets

Cold Water Transfer Set

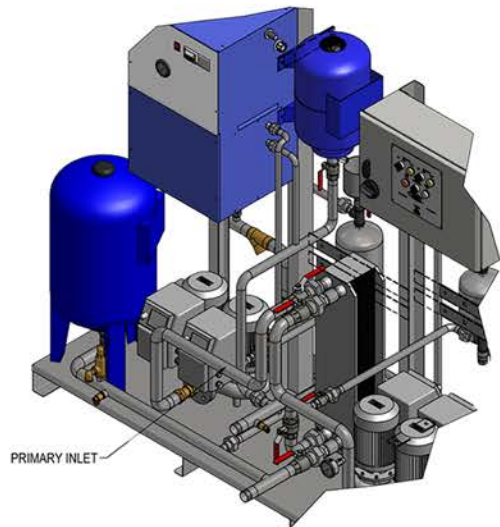
Twin System Heat Exchanger Circulating Pump Set Incorporating Wilo Twin Head Variable Speed Pumps

Primary Circulation Pump

Duty: 2.1 L/S @ 140KPa

Secondary Circulation Pump

Duty: 1.3 L/S @ 110 KPa





PU Range

The KGN Pillinger Electronic Range of Pressurisation Units are fully automatic, PLC controlled and designed to maintain the required system pressure in both heating and chilled water systems.

Available with single or dual pumps, the units are housed in floor standing, wall mounting cabinets or on purpose sized chassis.



SE Range



The KGN Pillinger Range of 'Fill Spill' units are designed for maintaining pressure on larger sealed systems capable of extreme temperature and pressure changes and built with 304 stainless steel tanks for longevity.

They are available in bespoke design builds to fit within plant room constraints



KGN Pillinger Expansion Vessels are ideal for containing expansion water in sealed heating, chilled water and HWS systems and as accumulator vessels for pressure boosting systems.

The vessels contain a cylindrical flexible rubber diaphragm which forms the water space, preventing water contact with the steel shell. As the gas space surrounds the diaphragm shell corrosion is eliminated.





The KGN Pillinger range of WRAS approved one piece and sectional tanks are suitable for all types of water storage. The GRP composite material is tough, corrosion resistant and with its anti microbiological growth properties, the optimum material for large water storage tanks.

Steel and GRP construction plant rooms and kiosks for above and below ground are built to exact specifications and are fully building services equipped.



Built to exact size specifications
Steel Framework with Modular Panels
Fire & Chemical Retardant



MANUFACTURING

Packaged Plant Rooms

Above Ground Containers

Steel Construction

Mobile Units for Reusable Service

Fully Assembled for Connect & Use



MANUFACTURING

Packaged Plant Rooms

Above Ground Containers

Moulded Glass Reinforced Plastic (GRP)

Rigid Core Construction

Gelcoat Finish for Weather Resistance



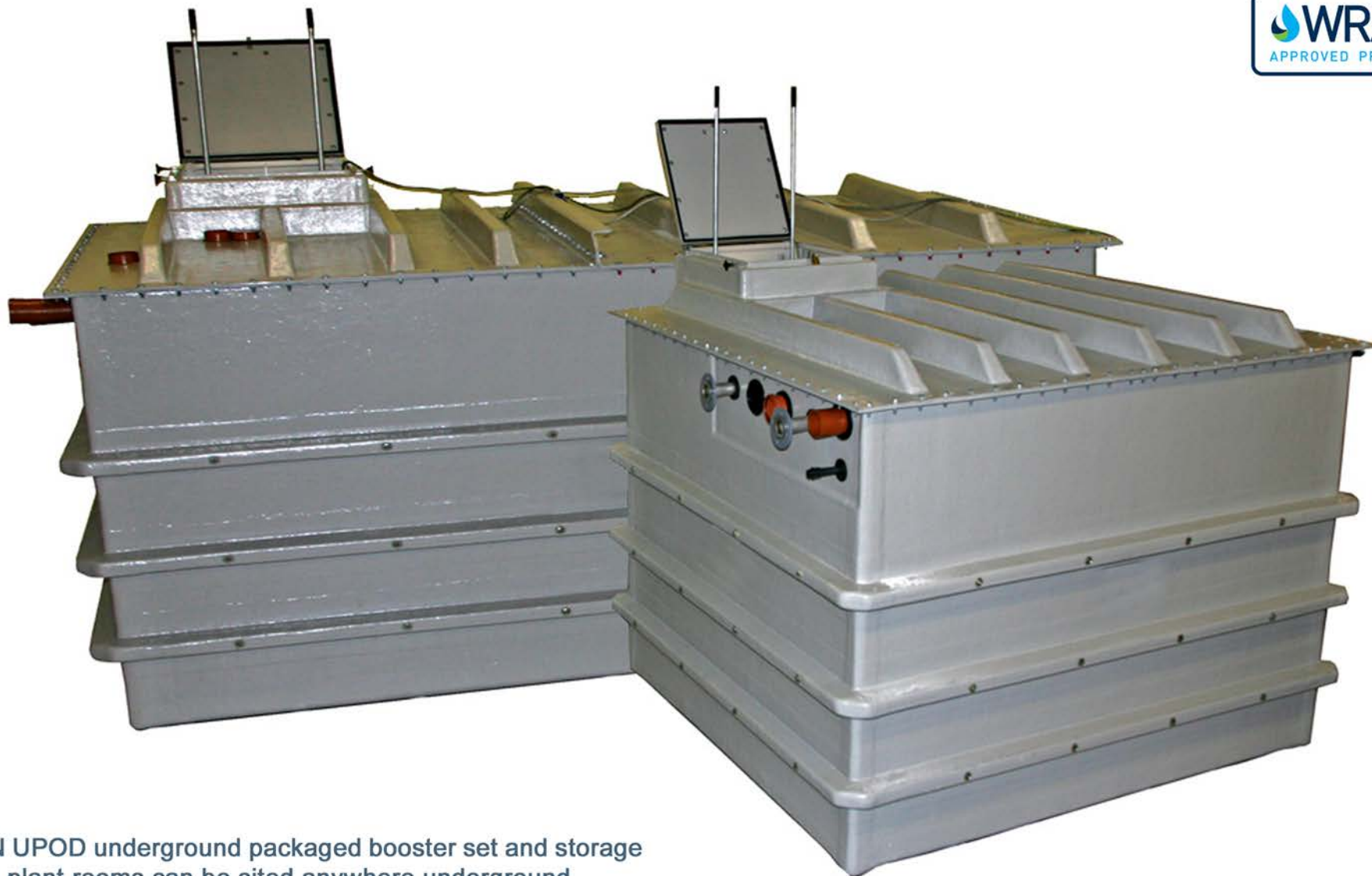
Multiple Access Assemblies
Building Services Equipped
Secure & Vandal Proof



MANUFACTURING

Packaged Plant Rooms

Kiosks



KGN UPOD underground packaged booster set and storage tank plant rooms can be sited anywhere underground.

To maximise valuable floor space within a building and avoid planning consent, the UPOD can be sited anywhere below ground including car parks, courtyards and site access roads.

Minimise Floor Space
Avoid Planning Consent
Air ventilation, Lighting & Heating



MANUFACTURING

Packaged Plant Rooms

Underground UPOD Chamber

Remote Monitoring of Operation
Insulated Pipework
Tank Sizes From 280 - 9,600 Litres



MANUFACTURING

Packaged Plant Rooms

Underground UPOD Chamber

Managed Site Delivery
Complete Installation
Connect & Operate



MANUFACTURING

Packaged Plant Rooms

Underground UPOD Chamber



KGN Pillinger bespoke packaged pumping stations are designed for raising sewage, effluent waste and surface water in low lying areas for residential, commercial and industrial applications.

The diversity of our range enables us to offer customers a unique choice of sizes, pipework materials and bespoke connection positions resulting in a system tailored to exact requirements.



Diverse Range of GRP Tanks & Pipework Materials

Vertical & Horizontal Installations

Residential, Commercial & Industrial Applications

MANUFACTURING

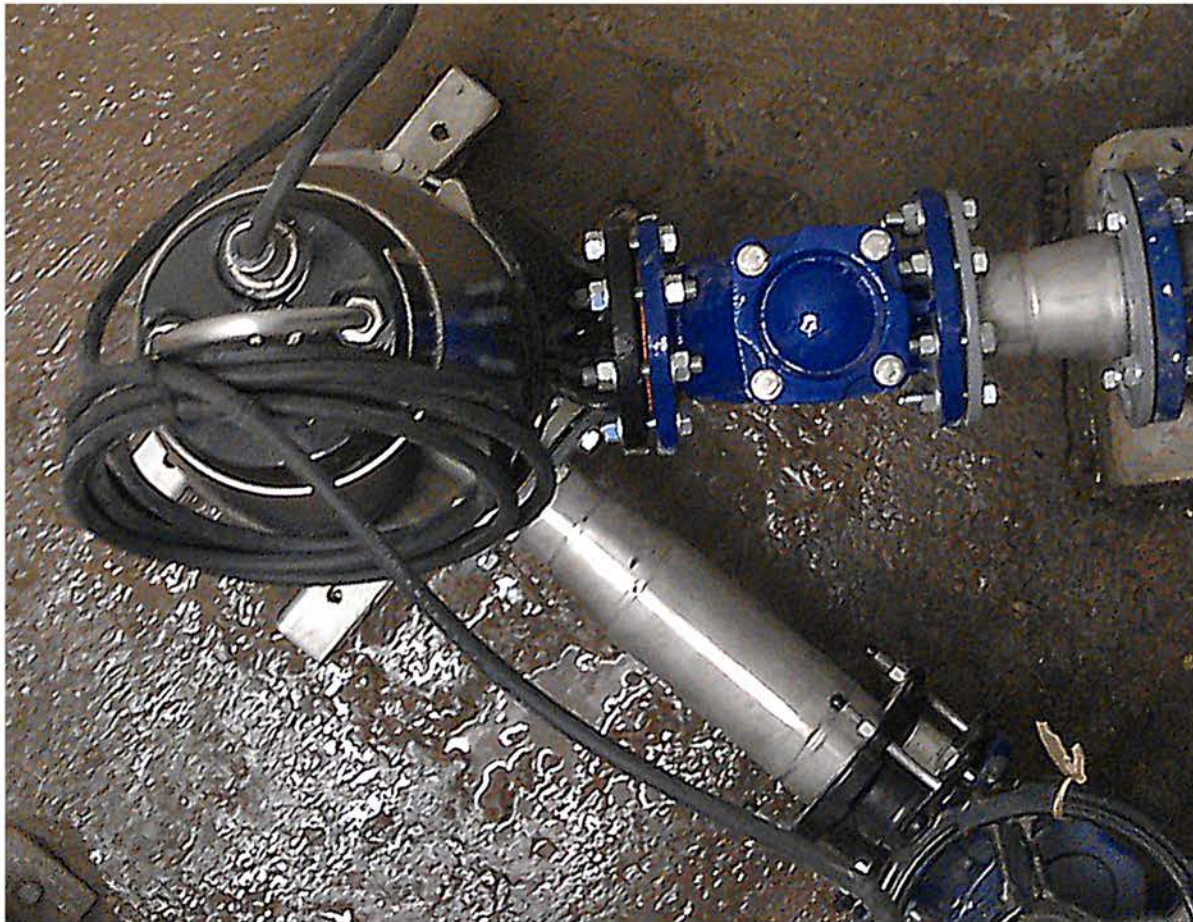
Waste Water

Below Ground Pumping Stations

Evaluation, Design & Commissioning

Bespoke Pipe Fittings

Full Maintenance Program



MANUFACTURING

Waste Water

Concrete Chamber Kit Out

KG N Pillinger is a premier distributor for leading manufacturers including Xylem, Wilo, Grundfos, KSB, ABS, Ebara, Marelli and Stuart Turner.

A comprehensive stock of pumps, motors and spares is maintained at all times.

Items such as tanks, kiosks, control panels, inverters, valves and flexible bellows can also be supplied directly.

xylem
Let's Solve Water

WILO

GRUNDFOS 

KSB 

abs
We know how water works

 **EBARA**
Your Life, our Quality. Worldwide.

 **Marelli**

**STUART
TURNER** 
ENGINEERED TO EXCEL



SALES

Premier Brands

KGN Pillinger are able to demonstrate the ability to assist in the design and implementation of all projects requiring specialist manufacturing and installation of bespoke water pumping systems.

We intend to promote our position as a preferred supplier within the individual framework of UK Water Companies, Building Services, Developers and Mechanical Engineers.

Our strength and advantage lies in the capacity for recognition and interpretation of client requirements at all stages of project delivery.

